

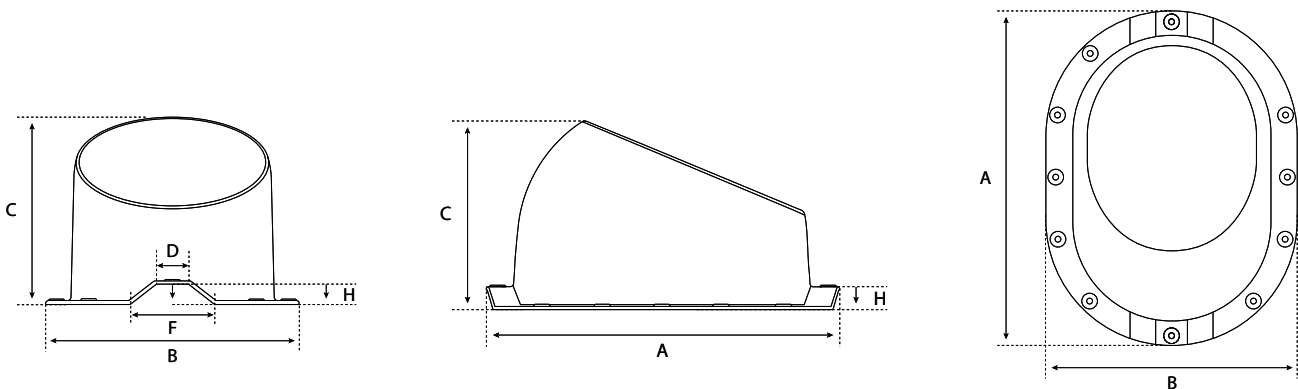
EN | ASSEMBLY INSTRUCTION

Eurovent® VENTOS X T18 roof vent

The Eurovent® VENTOS X T18 roof vent is used as a roof exhaust for ventilation ducts in residential and public utility buildings. It meets the requirements of modern construction in accordance with PN-83/B-03430/Az3. It features an adjustable angle of inclination from 5° to 45°, which facilitates installation on pitched roofs. A connection with a diameter of 150 mm ensures free and stable airflow. The design of the cap supports natural draft by utilising wind force. It does not require additional insulation and is equipped with an anti-condensation system that effectively protects ventilation ducts against condensation and moisture.

T18 base plate: The roof vent is equipped with a base designed for installation on roofs covered with trapezoidal sheet metal with a T18 profile.

A: 325 mm B: 245 mm C: 179 mm D: ca. 30 mm F: ca. 76 mm H: ca. 18 mm



A: base length B: base width C: base height D: profile width F: profile width H: profile height

Before installation: Make sure that the correct model of the roof vent base is selected for the roof covering on which it will be installed. The installation of the roof vent is carried out directly to the roof covering. Only the screws included in the set, the butyl adhesive integrated with the base, and, if necessary, additional butyl strips should be used for installation.

List of compatible roof coverings – page 2.

Installation instructions for the roof vent – pages 3–4.



Update date: 24/03/2026

EN | LIST OF ROOF COVERINGS

Compatible roof covering types – Eurovent® VENTOS X T18.

The table presents verified and tested compatibility of the Eurovent® VENTOS X T18 roof vent base with trapezoidal sheet metal available on the market.

	Roof tile name	Roof tile manufacturer	VENTOS X base plate
A	ALLANO	BRATEX	T18
F	FINN FIORD	BLACHPROFIL 2 PRUSZYŃSKI	T18 T18
H	HORIZON	BRATEX	T18 + additional butyl

Scan the QR code



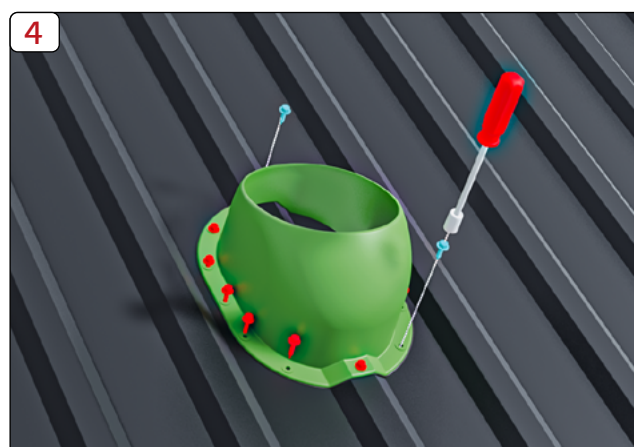
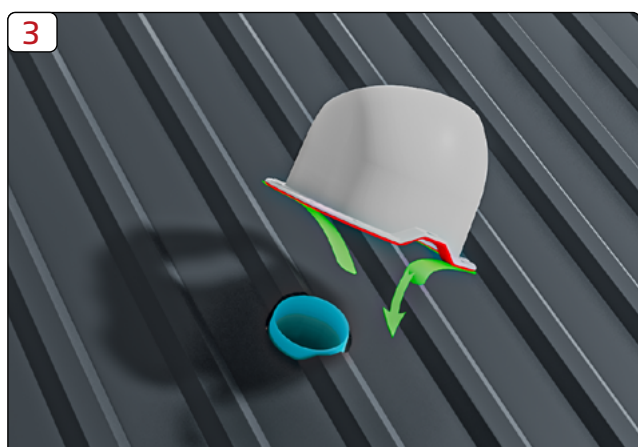
Find compatibility
with other bases
Eurovent® VENTOS X

Update date: 24/03/2026

EN | ASSEMBLY INSTRUCTION

Installation of the Eurovent® VENTOS X T18 roof vent – trapezoidal sheet metal.

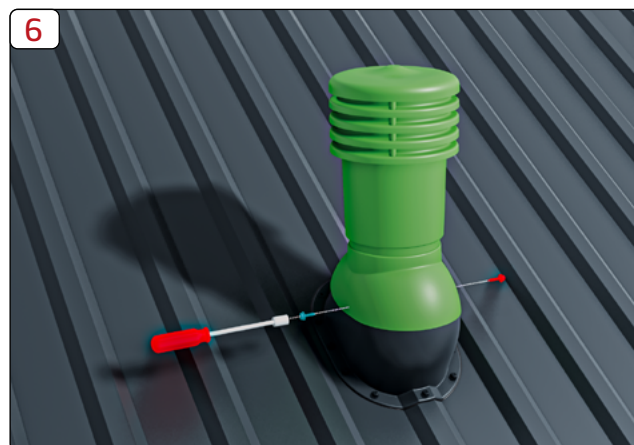
1. Make an airtight penetration of the ventilation duct through the roof membrane.
2. Cut an opening for the ventilation duct at the installation location of the roof vent. If necessary, apply additional butyl strips at the profile to ensure they bond with the roof vent base.
3. Remove the protective film from the butyl adhesive on the underside of the roof vent base. Place the base at the location of the cut opening.
4. Fix the roof vent base using the screws included in the set.



Update date:24/03/2026

EN | ASSEMBLY INSTRUCTION

5. Adjust the angle of inclination of the roof vent.
6. Fix the roof vent to the base using the remaining screws included in the set.



Final information: The information, recommendations and guidelines provided are based on our current best knowledge, research and experience, and are given in good faith. We do not accept liability for the consequences of improper or incorrect use of our products. Each user of this material should verify by all possible means, including testing the final product under appropriate conditions, the suitability of the supplied materials for achieving their intended purposes.

All installation works, maintenance and technical inspections should be carried out exclusively by authorised, qualified and experienced personnel.

Update date: 24/03/2026