

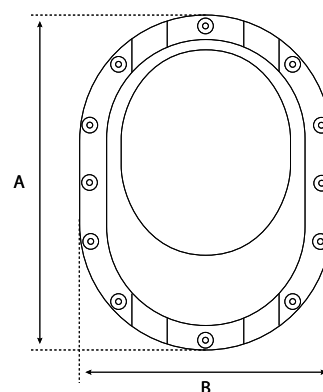
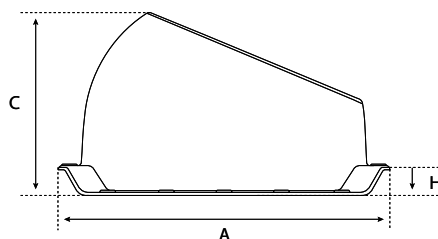
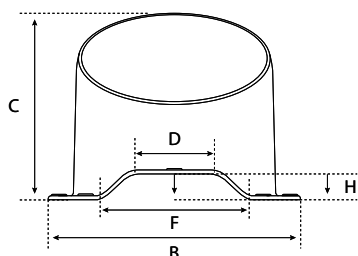
## EN | ASSEMBLY INSTRUCTION

### Eurovent<sup>®</sup> VENTOS X R28 roof vent

Eurovent<sup>®</sup> VENTOS X R28 roof vent is used as a roof exhaust for ventilation ducts in residential buildings and public utility buildings. It meets the requirements of modern construction, in accordance with standard PN-83/B-03430/Az3. It features an adjustable inclination angle from 5° to 45°, which facilitates installation on pitched roofs. A connection with a diameter of 150 mm ensures free and stable airflow. The design of the cap supports natural draft by utilising wind force. It does not require additional insulation and is equipped with an anti-condensation system that effectively protects ventilation ducts against condensation and moisture.

**R28 base plate:** The roof vent is equipped with a base designed for installation on roofs covered with metal roof tiles with an R28 profile.

A: 325 mm B: 245 mm C: 180 mm D: ca. 80 mm H: ca. 25 mm



A: base length B: base width C: base height D: profile width H: profile height

**Before installation:** Ensure correct selection of the roof vent base model for the roof covering on which it will be installed. Installation of the roof vent is carried out directly onto the roof covering. For installation, use only the screws included in the set, the butyl adhesive integrated with the base, and, if necessary, additional butyl strips.

List of compatible roof coverings – page 2.

Installation instructions for the roof vent – pages 3–4.



Update date: 24/03/2026

## EN | LIST OF ROOF COVERINGS

### Compatible roof coverings list – Eurovent<sup>®</sup> VENTOS X R28.

The table presents verified and tested compatibility of the Eurovent<sup>®</sup> VENTOS X R28 roof vent base with metal roof tiles available on the market.

	Roof tile name	Roof tile manufacturer	VENTOS X base plate
<b>A</b>	ADAMANTE	RUUKKI	R28
<b>F</b>	FORTE PANEL/CLASSIC	FINCO STAL	R28
<b>G</b>	GALLA	WAT	R28
<b>J</b>	JOHN STEEL	FINISH PROFILES	R28
<b>M</b>	MAJA MODUS	FLORIAN CENTRUM PRUSZYŃSKI	R28 R28
<b>N</b>	NINBO	MARKOSTEEL	R28
<b>O</b>	OPTIMA ARAD	PRUSZYŃSKI	R28
<b>P</b>	PIANO CLASSIC/PIANO PREMIUM PIANO PANEL ESTETICA/STANDARD	FINCO-STAL FINCO-STAL	R28 R28
<b>R</b>	REN ROMA	PRUSZYŃSKI REGAMET	R28 R28

Scan the QR code



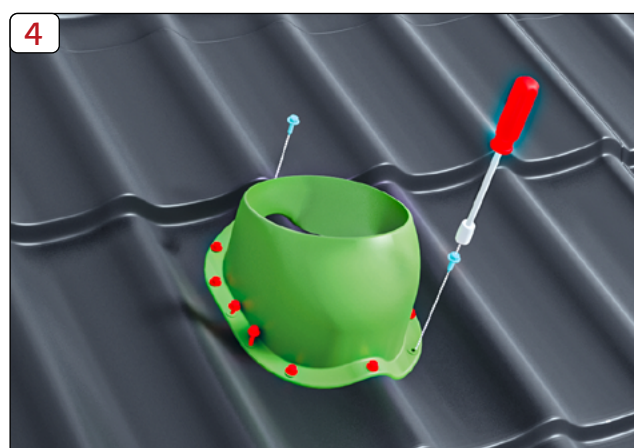
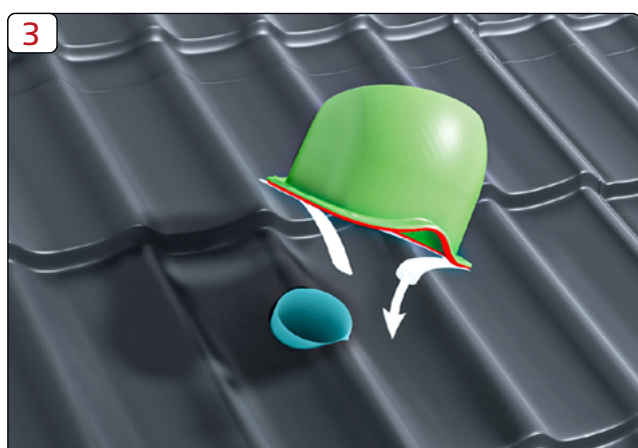
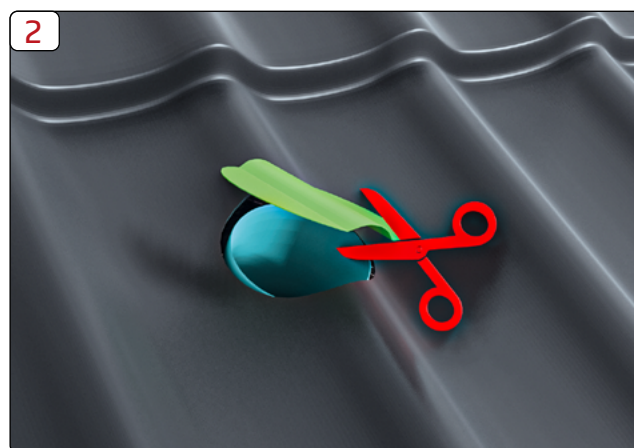
Find compatibility  
with other bases  
Eurovent<sup>®</sup> VENTOS X

Update date: 24/03/2026

## EN | ASSEMBLY INSTRUCTION

### Installation of the Eurovent<sup>®</sup> VENTOS X R28 roof vent – Metal roof tile.

1. Installation of the Eurovent<sup>®</sup> VENTOS X R28 roof vent – Metal roof tile.
2. Cut an opening for the ventilation duct at the location of the roof vent installation.
3. Remove the protective tape from the butyl adhesive on the underside of the roof vent base. Place the base at the location of the cut opening.
4. Fix the roof vent base using the screws included in the set.



Update date:24/03/2026

## EN | ASSEMBLY INSTRUCTION

5. Set the inclination angle of the roof vent.
6. Fix the roof vent to the base using the remaining screws included in the set.



**Final information:** The information, recommendations, and guidelines provided are based on our current best knowledge, research, and experience, and are given in good faith. We accept no liability for the consequences of improper or incorrect use of our products. Each user of this material should verify by all possible means, including testing the final product under appropriate conditions, the suitability of the supplied materials for achieving their intended objectives. All installation works, maintenance, and technical inspections should be carried out exclusively by authorised, qualified, and experienced persons.

Update date:24/03/2026