

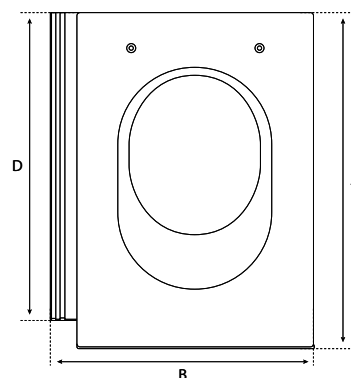
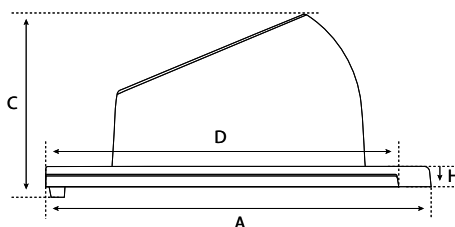
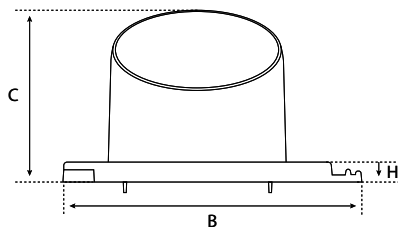
EN | ASSEMBLY INSTRUCTION

Eurovent® VENTOS X PLUS T roof vent

Eurovent® VENTOS X PLUS T roof vent is used as a roof outlet for ventilation ducts in residential and public utility buildings. It meets the requirements of modern construction, in accordance with standard PN-83/B-03430/Az3. It has an adjustable inclination angle from 5° to 45°, which facilitates its installation on pitched roofs. A connection with a diameter of 150 mm guarantees free and stable airflow. The design of the cap supports natural draft by using wind force. It does not require additional insulation and is equipped with an anti-condensation system, which effectively protects ventilation ducts against condensation and moisture.

PLUS T base plate: The roof vent is equipped with a base adapted for installation on pitched roofs covered with flat concrete roof tiles type "T".

A: 420 mm B: 330 mm C: 220 mm D: 383 mm H: 22 mm



A: base length B: base width C: base height
D: lock length H: embossing height

Before installation: Ensure proper selection of the roof vent base model for the roof covering on which it is to be installed. The roof vent base replaces the roof tile at the installation location. Installation of the roof vent base is carried out to the structural batten. Only the screws included in the set should be used for installation. Recommended installation temperature of the roof vent: from 5°C to 40°C.

List of compatible roof coverings – page 2.
Installation instructions for the roof vent – pages 3–4.



Update date: 23/03/2026

EN | LIST OF ROOF COVERINGS

List of compatible roof coverings – Eurovent® VENTOS X PLUS T.

The table presents verified and tested compatibility of the Eurovent® VENTOS X PLUS T roof vent base with models of concrete roof tiles available on the market.

	Roof tile name	Roof tile manufacturer	VENTOS X base plate
A	AARHUS	IBF	PLUS T
K	KAPSTADT	BENDERS	PLUS T
P	PLANUM	NELSKAMP	PLUS T
T	TEGALIT TEVIVA	BRAAS BRAAS	PLUS T PLUS T

Scan the QR code



Find compatibility
with other bases
Eurovent® VENTOS X

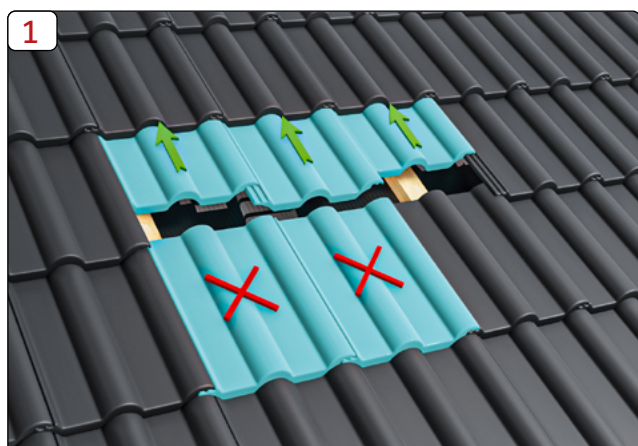
Update date: 23/03/2026

EN I ASSEMBLY INSTRUCTION

Installation of the Eurovent[®] VENTOS X PLUS T roof vent – concrete roof tile.

Recommended installation temperature: from 5°C to 40°C

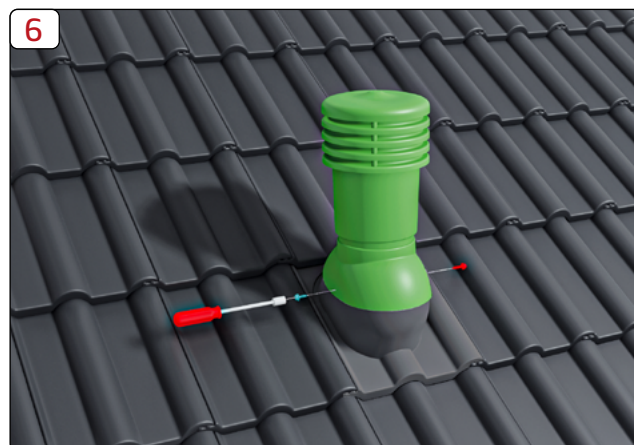
1. Remove the roof tiles at the installation location of the roof vent.
2. Make an airtight passage of the ventilation duct through the membrane.
3. Place the base at the installation location of the roof vent. Fix the roof vent base and screw it to the structural batten using two wood screws.
4. Install the roof tiles around the fixed roof vent base.



Update date: 23/03/2026

EN | ASSEMBLY INSTRUCTION

5. Set the inclination angle of the roof vent.
6. Fix the roof vent to the base using the remaining screws included in the set.



Final information: The information, recommendations and guidelines contained herein have been provided based on our current best knowledge, research, experience and in good faith. We accept no liability for the consequences of improper or incorrect use of our products. Each user of this material should ensure in all possible ways, including testing the final product under appropriate conditions, the suitability of the supplied materials for achieving their intended purposes.

All installation, maintenance and technical inspections should be carried out only by authorised, qualified and experienced persons.

Update date:23/03/2026