

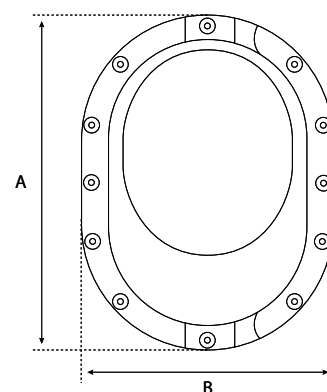
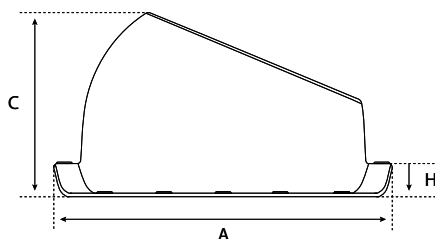
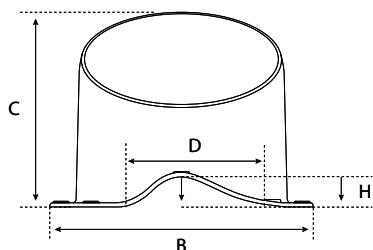
EN | ASSEMBLY INSTRUCTION

Eurovent[®] VENTOS X N25 roof vent

Eurovent[®] VENTOS X N25 roof vent is used as a roof exhaust for ventilation ducts in residential buildings and public utility buildings. It meets the requirements of modern construction, in accordance with standard PN-83/B-03430/Az3. It features an adjustable inclination angle from 5° to 45°, which facilitates installation on pitched roofs. A connection with a diameter of 150 mm ensures free and stable airflow. The design of the cap supports natural draft by utilising wind force. It does not require additional insulation and is equipped with an anti-condensation system that effectively protects ventilation ducts against condensation and moisture.

N25 base plate: The roof vent is equipped with a base designed for installation on roofs covered with metal roof tiles with an N25 profile.

A: 325 mm B: 245 mm C: 180 mm D: ca. 155 mm H: ca. 33 mm



A: base length B: base width C: base height D: profile width H: profile height

Before installation: Ensure correct selection of the roof vent base model for the roof covering on which it will be installed. Installation of the roof vent is carried out directly onto the roof covering. For installation, use only the screws included in the set, the butyl adhesive integrated with the base, and, if necessary, additional butyl strips.

List of compatible roof coverings – page 3-5.

Installation instructions for the roof vent – pages 6-7.



Update date: 24/03/2026

EN | LIST OF ROOF COVERINGS

Compatible roof coverings list – Eurovent® VENTOS X N25.

The table presents verified and tested compatibility of the Eurovent® VENTOS X N25 roof vent base with metal roof tiles available on the market.

	Roof tile name	Roof tile manufacturer	VENTOS X base plate	
A	ADA	BLACHY MINDA	N25	
	AGA	BLACHCENTRUM	N25	
	AKCENT	FINCO-STAL	N25	
	AKORD	FINCO-STAL	N25	
	ALFA PREMIUM / ALFA PLUS	BLACHPROFIL 2	N25	
	ALFA 2.0	BLACHPROFIL 2	N25	
	ATENA	NOWAX	N25	
B	BANGA	ROZBUD	N25	
	BELLA SARA	BUDMAT	N25	
	BETA	BLACHPROFIL 2	N25	
	BIEBRZA	ATESTPOL	N25	
	BINGO	BLACHODACH	N25	
	BONA / BONA PLUS / BONA LONG	BLACHDOM PLUS	N25	
	BONITA / BONITA PLUS	DOM-BLACH	N25	
	BRAVO	BLACHODACH	N25	
	BRYLANT	BLACHY PIOTRKOWICZ	N25	
	BURSZTYN	WŁASTAL	N25	
	C	CAMESA	M-BLACH	N25
		CARO+ / CARO	POLSTAL	N25
CLASSIC		WŁASTAL	N25	
D	DAKOTA	BLACHSTAL	N25	
	DANA	GÓRHUT	N25	
	DECORREY	RUUKKI	N25	
	DIAMENT ECO PLUS	BLACHOTRAPEZ	N25	
	DONA / DONA ECO	GLINMET/WISTAL	N25	
	ECO	BLACHPROFIL 2	N25	
E	ECO NICOL	MAX SYSTEM	N25	
	ECOMAX	BUDMAX-METAL	N25	
	ELEGANT	BORGA	N25	
	ELEKTRA	REGAMET	N25	
	EMI	UNBLACH	N25	
	ESKA	BLACH-POL	N25	
	EURO	BLACHPROFIL 2	N25	
	EVELINE	BLACHY WADOWSKI	N25	
	F	FINISH / FINISH MAX	FINISH PROFILES	N25
		FINISHDAK	FINISH PROFILES	N25
FLORINA		FLORIAN CENTRUM	N25	

Update date: 24/03/2026

EN | LIST OF ROOF COVERINGS

	Roof tile name	Roof tile manufacturer	VENTOS X base plate	
G	GLORIA	REGAMET	N25	
H	HALNY	ARCELOR MITTAL (ARMAT)	N25	
	HEKTOR	WŁASTAL	N25	
	HELIOS / HELIOS PLUS	TRANSTAL	N25	
	HERA	BRATEX	N25	
	HESTIA	BRATEX	N25	
	HORYZONT	BALEXMETAL	N25	
I	IDA	FLORIAN CENTRUM	N25	
	IMPERIA PLUS	BLACHDOM PLUS	N25	
	IRIS	DACHPOL	N25	
J	JOKER	BLACH-DOM	N25	
	JULA	MATPOL	N25	
K	KAJA+ / KAJA	ROLBUD	N25	
	KARAMZYN	TRANSTAL	F22	
	KARPATIA	DACH-STYL	F22	
	KING	FINISH PROFILES	N25	
	KING MAX	FINISH PROFILES	N25	
	KINGSTILE	FINISH PROFILES	N25	
	KING	BLACHSTAL	N25	
	KING PLUS	BLACHSTAL	N25	
	KINGA	STALHART	N25	
	KINGA / KINGA PLUS	FLORIAN CENTRUM	N25	
	KINGAS	BLACHOTRAPEZ	N25	
	KINGAS ECO / KINGAS PLUS	BLACHOTRAPEZ	N25	
	KLAUDIA	LIMBLACH	N25	
	KOBRA	FLORIAN CENTRUM	N25	
	KORONA PLUS	BLACHDOM PLUS	N25	
	KORRA	TRANSBLACH	N25	
	KURPIANKA	KURPDACH	N25	
	L	LIBRA	METALMIX	N25
		LPAL	LINDAB	N25
LUNA		DISPOL	N25	
LUNA		POLONICA	N25	
M	M35	SOLAN	N25	
	MAGNAT	BUDMAX-METAL	N25	
	MAJOR	WAT	N25	
	MERKURY	DACH-STYL	N25	
	METIS	DACHPOL	N25	
	MODENA	STAHLBERG	N25	
	MONTERREY TS 39	RUUKKI	N25	
	MONTERREY TS 34 FEB FORMA	RUUKKI	N25	

Update date: 24/03/2026

EN | LIST OF ROOF COVERINGS

	Roof tile name	Roof tile manufacturer	VENTOS X base plate
N	NATURA	BLOK-BUD	N25
	NATURA	BLOKBLACH	N25
	NATURA	FINNOYA	N25
	NICOL	MAX SYSTEM	N25
	NORA	BIAL-MET	N25
	NORDA	INTER-MAX	N25
O	OLGA	BLACHY PIOTRKOWICZ	N25
P	PERFECTA	STAHLBERG	N25
	PERŁA	WŁASTAL	N25
	PLATINO / PLATINO ECO	BRATEX	N25 + additional butyl
	PLATINIUM	ŁUCZAJ	N25
	PRIMA	BLACH-POL	N25 + additional butyl
	PROXIMA	METALMIX	N25 + additional butyl
R	REGENT / REGENT GRAND	PLANNJA	N25
	REVERS	METALEX MIKOŁAJOWICE	N25 + additional butyl
	RIKI	VICOR	N25
	RUBIN PLUS	PRUSZYŃSKI	N25 + additional butyl
S	SARA	BUDMAT	N25
	SATURN	DACH-STYL	N25
	SCANDIC LINE	PLANNJA	N25
	SCANDIC MODULAR	PLANNJA	N25
	SEGMENT	TRANSBLACH	N25
	SMART	PLANNJA	N25
	SPECJAL	BLACHY PIOTRKOWICZ	N25
	SPEKTRUM	BALEXMETAL	N25
	STANDARD	ŁUCZAJ	N25
	STELLA	DISPOL	N25
	SZAFIR	PRUSZYŃSKI	N25
	TAMARA	FLORIAN CENTRUM	F22
	TAKT	FINCO-STAL	N25
	TALIA	BLACHOTRAPEZ	N25 + additional butyl
	TOPLINEL(LPAN)	LINDAB	N25
	TWIST	BLACHODACH	N25 + additional butyl
TWISTER	BLACHODACH	N25	
V	VEGA	FINCO-STAL	N25
	VELLO	BRATEX	N25
	VENA	HANBUD	N25 + additional butyl
	VERA	UNIBLACH	N25
	VIKA	VICOR	N25
	VIKTORIA	REGAMET	N25
	VIVALDI	ARECO SWEDEN	N25

Update date: 24/03/2026

EN | LIST OF ROOF COVERINGS

	Roof tile name	Roof tile manufacturer	VENTOS X base plate
W	WIKTORIA	METALEX MIKOŁAJOWICE	N25
X	XARA	ZEPART	N25
Z	ZEFIR	BUDMAT	N25

Scan the QR code



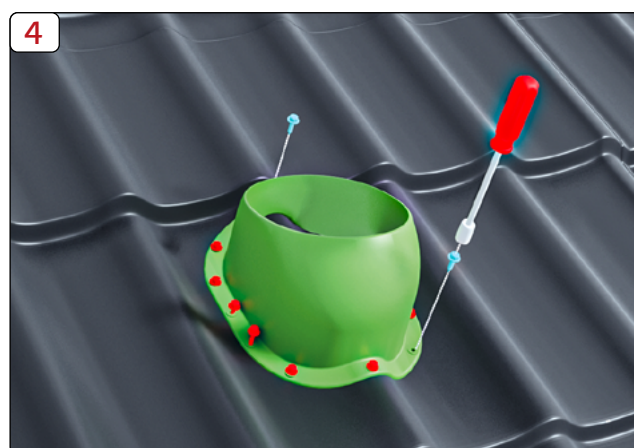
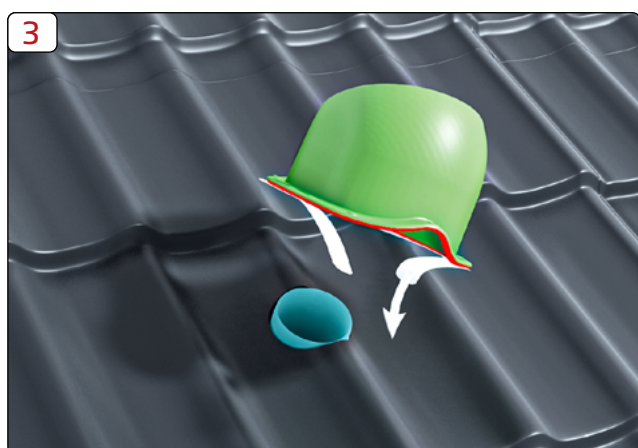
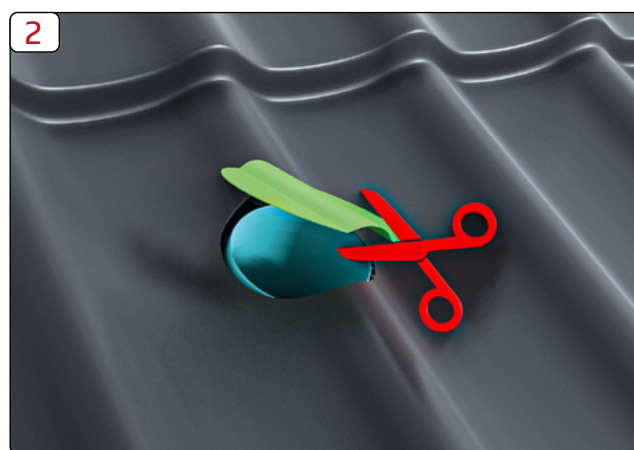
Find compatibility
with other bases
Eurovent® VENTOS X

Update date: 24/03/2026

EN | ASSEMBLY INSTRUCTION

Installation of the Eurovent® VENTOS X N25 roof vent – Metal roof tile.

1. Ensure a tight passage of the ventilation duct through the roof membrane.
2. Cut an opening for the ventilation duct at the location of the roof vent installation. If necessary, apply additional butyl strips at the profile location so that they connect with the roof vent base.
3. Remove the protective tape from the butyl adhesive on the underside of the roof vent base. Place the base at the location of the cut opening.
4. Fix the roof vent base using the screws included in the set.



Update date:24/03/2026

EN | ASSEMBLY INSTRUCTION

5. Set the inclination angle of the roof vent.
6. Fix the roof vent to the base using the remaining screws included in the set.



Final information: The information, recommendations, and guidelines provided are based on our current best knowledge, research, and experience, and are given in good faith. We accept no liability for the consequences of improper or incorrect use of our products. Each user of this material should verify by all possible means, including testing the final product under appropriate conditions, the suitability of the supplied materials for achieving their intended objectives.

All installation works, maintenance, and technical inspections should be carried out exclusively by authorised, qualified, and experienced persons.

Update date:24/03/2026