

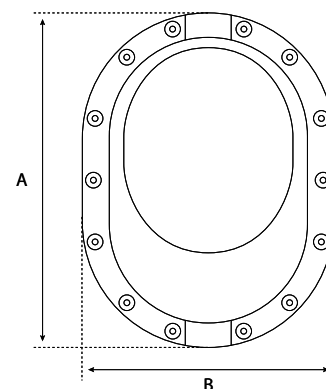
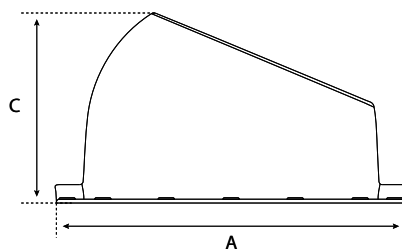
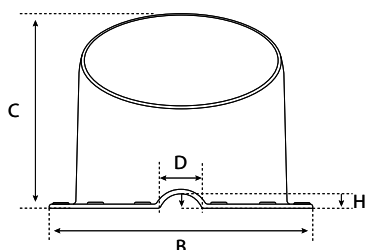
EN | ASSEMBLY INSTRUCTION

Eurovent® VENTOS X M11 roof vent

The Eurovent® VENTOS X M11 roof vent is used as a roof exhaust for ventilation ducts in residential and public utility buildings. It meets the requirements of modern construction in accordance with PN-83/B-03430/Az3. It features an adjustable angle of inclination from 5° to 45°, which facilitates installation on pitched roofs. A connection with a diameter of 150 mm ensures free and stable airflow. The design of the cap supports natural draft by utilising wind force. It does not require additional insulation and is equipped with an anti-condensation system that effectively protects ventilation ducts against condensation and moisture.

M11 base plate: The roof vent is equipped with a base designed for installation on roofs covered with metal roof tiles with an M11 profile.

A: 325 mm B: 245 mm C: 179 mm D: ca. 40 mm H: ca. 15 mm



A: base length B: base width C: base height D: profile width H: profile height

Before installation: Make sure that the correct model of the roof vent base is selected for the roof covering on which it will be installed. The installation of the roof vent is carried out directly to the roof covering. Only the screws included in the set, the butyl adhesive integrated with the base, and, if necessary, additional butyl strips should be used for installation.

List of compatible roof coverings – page 2.

Installation instructions for the roof vent – pages 3–4.



Update date: 24/03/2026

EN | LIST OF ROOF COVERINGS

Compatible roof covering types – Eurovent® VENTOS X M11.

The table presents verified and tested compatibility of the Eurovent® VENTOS X M11 roof vent base with metal roof tiles available on the market.

	Roof tile name	Roof tile manufacturer	VENTOS X base plate
C	CLARO COMO	HANBUD BUDMAT	M11 M11 + additional butyl
D	DOMINUM PANEL DUO	BLACHY MIDA REGAMET	M11 M11
E	EMMA	EXTATRAPEZ	M11
F	FRIGGE FUTURA	RUUKKI DACHPOL	M11 M11
M	MERIDA MURANO	POL-STAL BUDMAT	M11 M11
S	SZKOCKA	BLACH-POL	M11
T	TIGRA	PRUSZYŃSKI	M11 + additional butyl

Scan the QR code



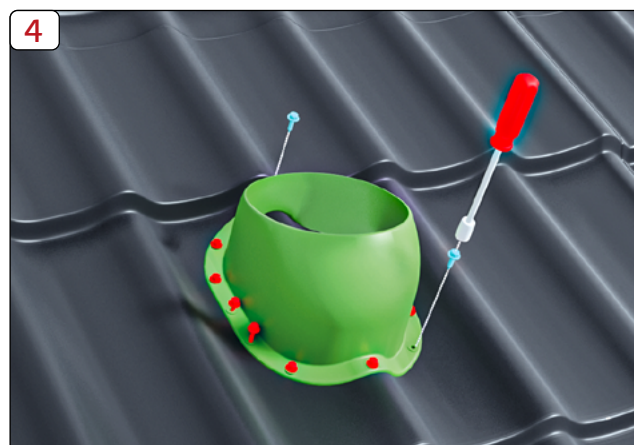
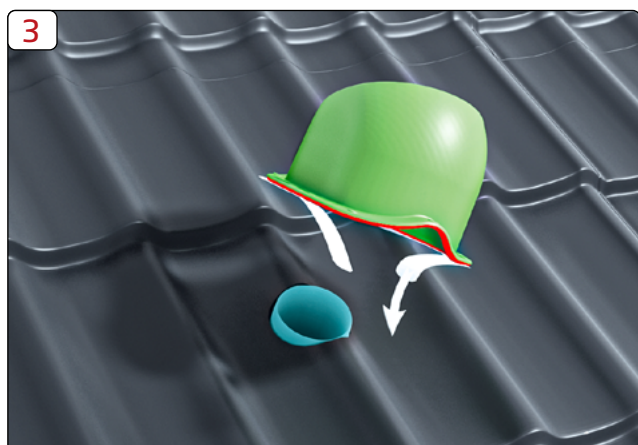
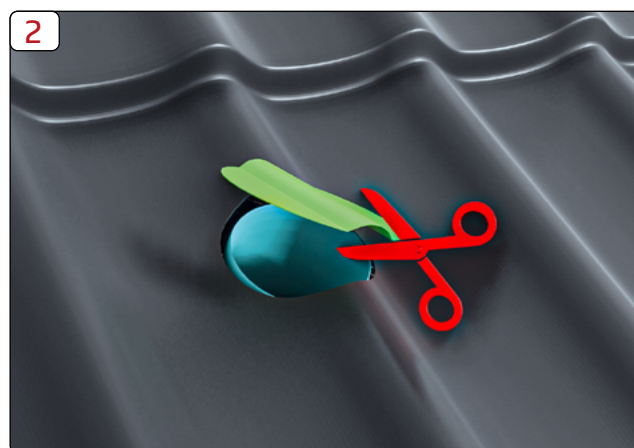
Find compatibility
with other bases
Eurovent® VENTOS X

Update date: 24/03/2026

EN | ASSEMBLY INSTRUCTION

Installation of the Eurovent® VENTOS X M11 roof vent – Metal roof tile.

1. Make a tight passage of the ventilation duct through the membrane.
2. Cut an opening for the ventilation duct at the installation location of the roof vent. If necessary, apply additional strips of butyl at the embossed area so that they connect with the base of the roof vent.
3. Remove the protective tape from the butyl adhesive on the underside of the base of the roof vent. Place the base at the location of the cut opening.
4. Fix the base of the roof vent using the screws included in the set.



Update date:24/03/2026

EN | ASSEMBLY INSTRUCTION

5. Set the angle of inclination of the roof vent.
6. Fix the roof vent to the base using the remaining screws included in the set



Final information: The information, recommendations and guidelines provided are based on our current best knowledge, research, experience and are given in good faith. We accept no liability for the consequences of improper or incorrect use of our products. Each user of this material should ensure by all possible means, including testing the final product under appropriate conditions, the suitability of the supplied materials for achieving the intended objectives.

All installation, maintenance works and technical inspections should be carried out exclusively by authorised, qualified and experienced persons.

Update date: 24/03/2026