

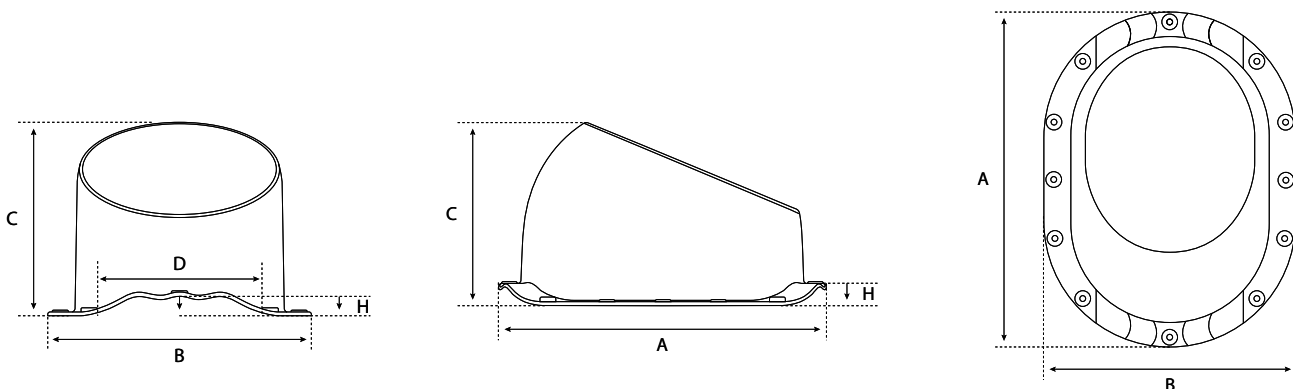
EN | ASSEMBLY INSTRUCTION

Eurovent® VENTOS X G18 roof vent

Eurovent® VENTOS X G18 roof vent is used as a roof exhaust for ventilation ducts in residential buildings and public utility buildings. It meets the requirements of modern construction, in accordance with standard PN-83/B-03430/Az3. It features an adjustable inclination angle from 5° to 45°, which facilitates installation on pitched roofs. A connection with a diameter of 150 mm guarantees free and stable airflow. The design of the cap supports natural draft by utilising wind force. It does not require additional insulation and is equipped with an anti-condensation system that effectively protects ventilation ducts against condensation and moisture.

G18 base plate: The roof vent is equipped with a base designed for installation on roofs covered with metal roof tiles with a G18 profile.

A: 325 mm B: 245 mm C: 181 mm D: ca. 155 mm H: ca. 20 mm



A: base length B: base width C: base height D: profile width H: profile height

Before installation: Ensure correct selection of the roof vent base model for the roof covering on which it will be installed. Installation of the roof vent is carried out directly onto the roof covering. For installation, use only the screws included in the set, the butyl adhesive integrated with the base, and, if necessary, additional butyl strips.

List of compatible roof coverings – page 2-3.

Installation instructions for the roof vent – pages 4-5.



Update date: 25/03/2026

EN | LIST OF ROOF COVERINGS

List of compatible roof coverings – Eurovent® VENTOS X G18.

The table presents verified and tested compatibility of the Eurovent® VENTOS X G18 roof vent base with metal roof tiles available on the market.

| | Roof tile name | Roof tile manufacturer | VENTOS X base plate |
|----------|-------------------------------------|-------------------------------------|------------------------|
| B | BAVARIA | BLACHPROFIL 2 | G18 |
| E | EGERIA | DACHPOL | G18 |
| F | FINEZJA FRANIA SYMETRIC | FLORIAN CENTRUM MATPOL | G18 G18 |
| G | GERMANIA/ GERMANIA SIMETRIC | BLACHOTRAPEZ | G18 + additional butyl |
| H | HUSARIA | BLACH-POL | G18 |
| L | LENA/ LENA MAX | WAT | G18 |
| M | MARII | LIMBLACH | G18 |
| P | PETRA DUO POLONIA | REGAMET KURPDACH | G18 G18 |
| Q | QUATTRO/ QUATTRO SYMMETRICA | BLACHSTAL | G18 |
| S | SIMELINE SYMETRIA | BLACHY WADOWSKI NOWAX | G18 G18 |
| T | TEMIDA | GLINMET/WISTAL | G18 |
| V | VENESSA VANESSA SIMETRIC VELA | DOM-BLACH DOM-BLACH INTER-MAX | G18 G18 G18 |

Scan the QR code



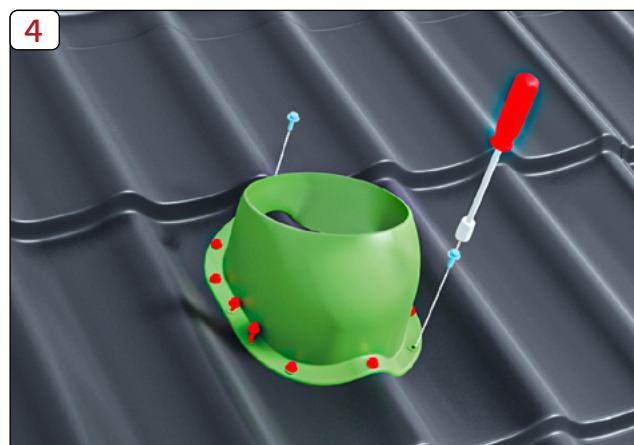
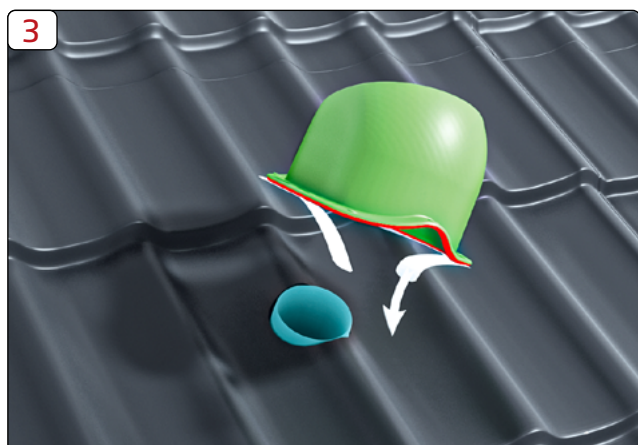
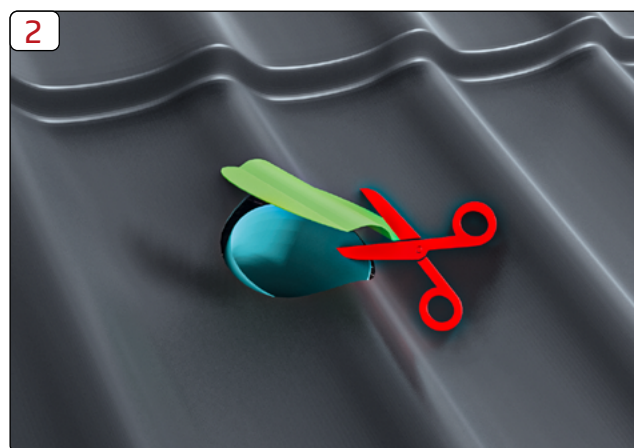
Find compatibility
with other bases
Eurovent® VENTOS X

Update date: 25/03/2026

EN | ASSEMBLY INSTRUCTION

Installation of the Eurovent® VENTOS X G18 roof vent – metal roof tile.

1. Ensure a tight penetration of the ventilation duct through the roof membrane.
2. Cut an opening for the ventilation duct at the installation location of the roof vent. If necessary, apply additional butyl strips at the embossing location so that they connect with the base of the roof vent.
3. Remove the protective tape from the butyl adhesive on the underside of the roof vent base. Place the base in the location of the cut opening.
4. Fix the base of the roof vent using the screws included in the set.



Update date:25/03/2026

EN | ASSEMBLY INSTRUCTION

5. Adjust the inclination angle of the roof vent.
6. Fix the roof vent to the base using the remaining screws included in the set.



Final information: The information, recommendations and guidelines provided are based on our current best knowledge, research and experience, and have been given in good faith. We accept no liability for the consequences of improper or incorrect use of our products. Each user of this material should verify by all possible means, including testing the final product under appropriate conditions, the suitability of the supplied materials for achieving their intended purposes.

All installation, maintenance and technical inspection works should be carried out exclusively by authorised, qualified and experienced personnel.

Update date: 25/03/2026