

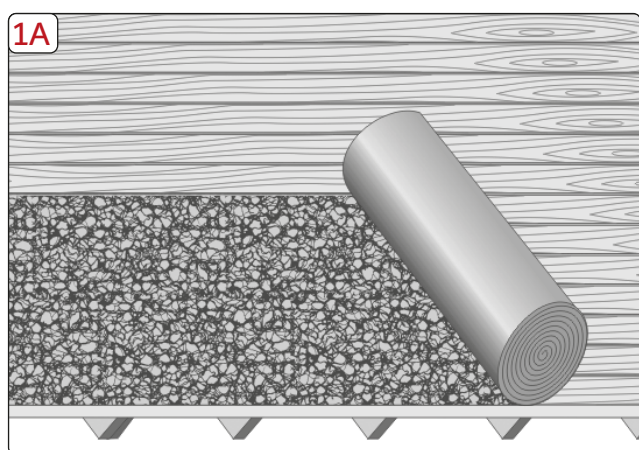
EN ASSEMBLY INSTRUCTION

Assembly instruction for Eurovent®: METALLIC; MATT.

The method of installing the roof membrane depends on the roof slope and the type of roof covering used. The roof membrane is part of the roof covering, and its use must always comply with the installation instructions provided by the manufacturer of the roof covering, as well as the principles of roof design and construction practices.

Before Installation: Before proceeding with the installation of the membrane, it is essential to inspect it for any mechanical damage that may have occurred during transport or storage. The installation of the membrane implies acceptance of its condition as free from any damage. The selection and application of the membrane should be done according to its intended use and functionality. Installation must be carried out in accordance with the building's technical design, developed according to current building regulations and the best construction practices, with consideration of the guidelines included in this manual. During the renovation of inhabited buildings, it is mandatory to use protective tarps until the final roof covering is installed. Upon completion of the installation, it is recommended to have the work verified by an authorized person to confirm its correctness. For treating the wooden roof structure, do not use preservatives that react aggressively with polyethylene or polypropylene, as they may reduce the membrane's technical properties or permanently damage it. Before installation, ensure that the roof structure is completely dry and free of any impregnation residue. No impregnation of the roof structure should be carried out after the roof membrane has been installed.

1: Start installation from the bottom of the roof slope, unrolling the membrane parallel to the eaves, with the fleece side facing upwards, directly on the full sheathing. Avoid excessive tension between the rafters.



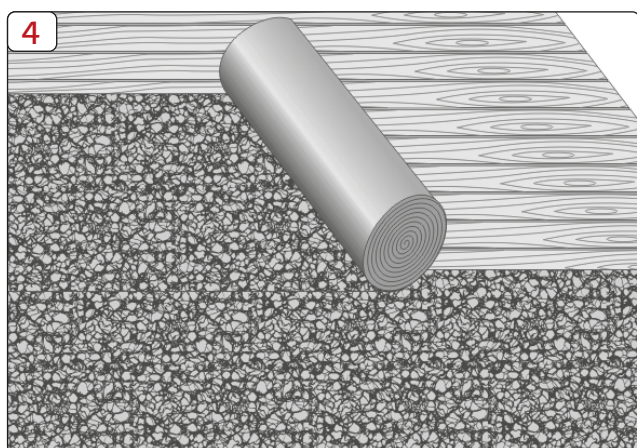
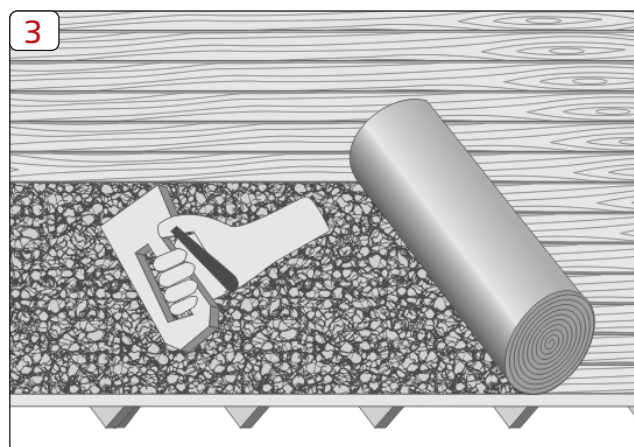
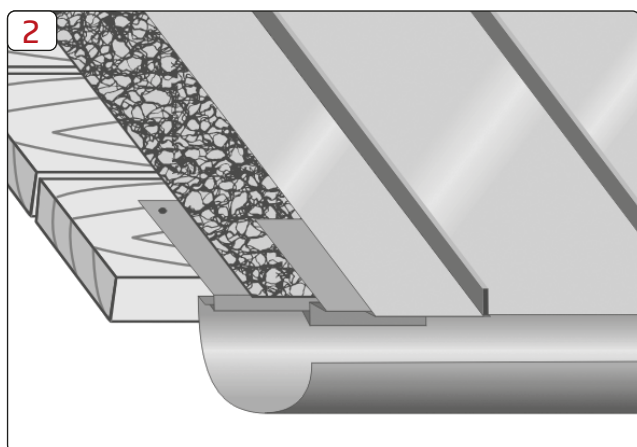
Update date:16/04/2025

EN ASSEMBLY INSTRUCTION

2: In the eaves area, the membrane must be installed on the eaves flashing. Avoid the formation of water pockets and reverse slopes.

3: Fasten the membrane to the rafters using nails or staples.

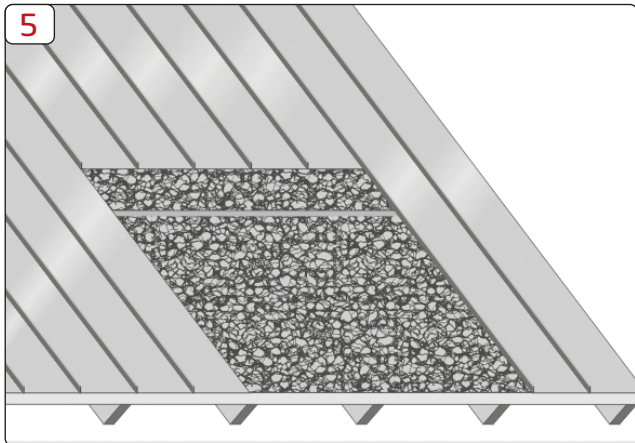
4: Lay the next strip of membrane with an overlap corresponding to the width of the membrane strip without fleece. To ensure tight overlaps, use double-sided adhesive tapes (e.g. Eurovent® DUO) or tapes integrated into the membrane SYSTEM SK.



Update date:16/04/2025

EN ASSEMBLY INSTRUCTION

5: The roof covering must be installed strictly according to the roofing manufacturer's recommendations and in accordance with the provided installation manual.



The highly vapor-permeable roof membrane is a product designed for use in construction as an additional insulation layer for pitched roofs. The product requires installation on full sheathing. The final choice of roof membrane is made by the designer.

Update date:16/04/2025

EN ASSEMBLY INSTRUCTION

Additional Recommendations: All punctures, damage, and tears in the membrane must be repaired using Eurovent[®] TOPBAND or Eurovent[®] UNO COLD UV tape.

The product is covered by a warranty provided that the installation instructions are strictly followed. The manufacturer reserves the right to refuse any warranty claims if the installation guidelines are not adhered to. The product label or sticker on the roll's spine must be kept as documentation for submitting a warranty claim. Rolls should remain in their original packaging until the roof membrane is installed. Rolls should be stored in covered, dry rooms free from moisture. Rolls must be protected from UV radiation. Rolls should be transported in covered vehicles, secured from damage. The membrane must be protected from chemical agents, particularly solvent-based substances, as they can reduce the membrane's technical properties or permanently damage it. The information, recommendations, and guidelines provided are based on our current best knowledge, research, experience, and good faith. We are not responsible for the consequences of improper or incorrect use of our products. Each user of this material should ensure, through all possible means, including examining the final product under relevant conditions, that the supplied materials are suitable for achieving the intended goals.

The final roof covering must be installed promptly, no later than 4 weeks after the installation of the roof membrane.

In case of a delay in the roof covering installation, the membrane must be strictly protected from UV rays by covering the roof area with a tarpaulin. Failure to comply with this recommendation may result in the loss of the membrane's functionality and warranty. After completion of the installation, it is recommended to have the work inspected by an authorized person to confirm the correctness of the execution.

Update date:16/04/2025